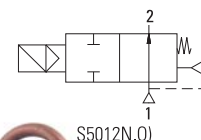


### GENERAL FEATURES

- Suitable for non-aggressive liquids (water, light oil (2E) etc...), gaseous fluids (air, inert gases etc...)
- Working Temperature: -10°C / +160°C
- Not suitable for use with dangerous fluids listed in Group 1
- **Minimum operating differential pressure 0,5 bar**
- High reliability, quality and performance; long life, corrosion resistance
- Wide pressure ratings, range of flow rate and orifice options
- Ideal for the automatic control of media in a wide range of applications.
- TORK solenoid valves satisfy relevant 97/23/EC, Pressure Equipment Directive (PED) and 2006/95/EEC Low Voltage Directive (LVD).
- Some applications; compressor tank
- Coils interchangeable
- Flow factor Kv of each valve is indicated, so that the flow Q can be calculated as a function of pressure
- Solenoid valves must be used with filtered fluids.
- Solenoid valve can be mounted in any position without affecting operation; vertical with coil upwards preferred.
- Standard pipe connection is G (BSP) (ISO 228-1) and on request; other pipe connections are available (NPT (ANSI 1.20.3))

### Normally Open



### ELECTRICAL CHARACTERISTICS

Continuous Duty	: ED %100
Coil Insulation Class	: H (180°C)
Coil Impregnation	: Polyester Fiber Glass
Coil Encapsulation Material	: Fiber Glass Reinforced
Ambient Temperature	: from -10°C; +60°C
Protection Degree	: IP 65 (EN 60529) with coil duly fitted with the plug connector
Electric Plug Connection	: DIN 46340 3-poles connectors (DIN 43650)
Connector Specification	: ISO 4400 / EN 175301-803, Form A, Spade plug (Cable Ø6-8 mm)
Electrical Safety	: IEC 335
Standard Voltages	: For AC 12V, 24V, 48V, 110V, 230V For DC 12V, 24V, 48V, 110 V

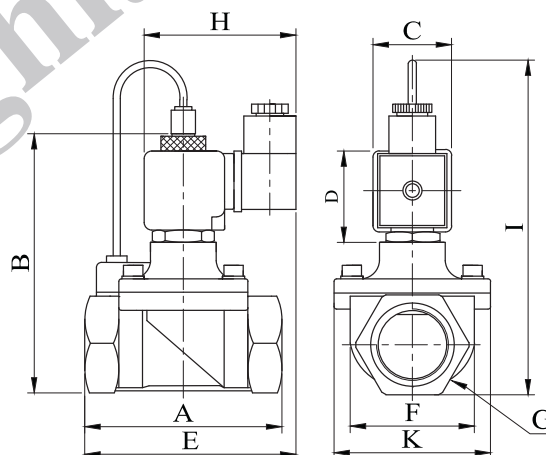
Other voltages on request;  
Voltage Tolerances : For AC -15%; +10%, For DC -5%; +10%  
Frequency : 50 Hz, other frequencies on request; (60 Hz)  
On request; connector with LED  
Specify coil voltage with order

### MATERIALS IN CONTACT WITH FLUID

Body	: Brass
Internal Parts	: Stainless Steel and Copper
Sealing	: FPM (VITON)
Shading Ring	: Copper
Seats	: Brass
Core Tube	: Stainless Steel
Springs	: Stainless Steel
On request; nickel plated body	

### TECHNICAL FEATURES

Max Viscosity : 5°E (~37cSt or mm<sup>2</sup>/s)  
Response Time : Opening Time : 400 ms to ~ 1600 ms,  
Closing Time : 1000 ms to ~ 2000 ms  
Maximum Allowable Pressure : 25 bar



Dimensions (mm)

	G	A	B	C	D	E	F	K	H	I
3/8"	74	97	32	45	91.3	37.5	52	76	124	
1/2"	79	100	32	45	92	39.8	52	76	128	
3/4"	79	107.3	32	45	94	41.5	52	76	134	
1"	85	115	32	45	101	42.5	52	76	143.5	

Valve Type / Order no	Connection Size	Orifice size	Pressure		KV	Fluid Temperature		Seal	Weight
			min	max		min	max		
<b>S5012</b>	<b>G</b>	<b>mm</b>	<b>bar</b>	<b>bar</b>	<b>lt/min</b>	<b>°C</b>			<b>(kg)</b>
S 5 0 1 2 . 0 2	3/8"	12.5	0.5	16	48	-10	160	VITON	0.7
S 5 0 1 2 . 0 3	1/2"	14.5	0.5	16	70	-10	160	VITON	0.73
S 5 0 1 2 . 0 4	3/4"	17	0.5	16	85	-10	160	VITON	0.81
S 5 0 1 2 . 0 5	1"	17	0.5	16	90	-10	160	VITON	0.99

### Useful Informations

1 bar:14,5 PSI:10 mH<sub>2</sub>O:10 N/cm<sup>2</sup>:1 kg/cm<sup>2</sup>:100000 Pa, 1 PSI:69 mbar,1 m<sup>3</sup>/h:4,405 GPM:16,7 L/d 1 Gallon / minute:0,227 m<sup>3</sup>/h, 0°C:89,6 F  
Sealings:FPM (VITON);Fluoro-Carbon Elastomer